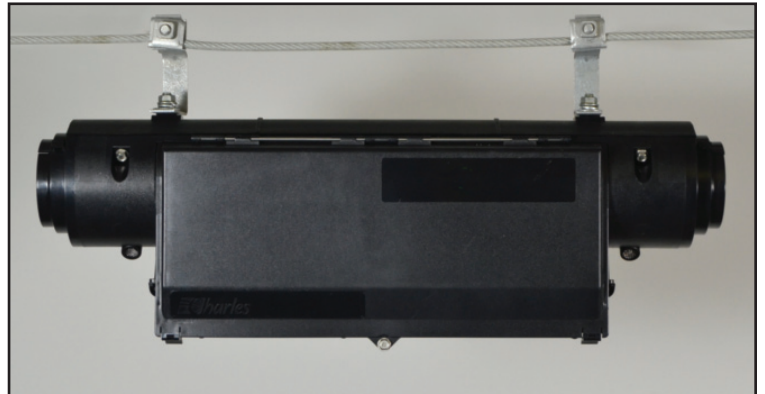


# Charles Fiber Aerial Solutions (CFAS)

## ***Easily reenterable and environmentally protected strand-mount closure for cost-effective aerial fiber drops or splicing***

Charles Fiber Aerial Solutions (CFAS) provide simple, cost-effective closures for mid-span splice and/or fiber drop requirements. Efficient strand-mount designs provide user-friendly access and utilize standard and/or small Charles Hinged Splice Trays. The closure has the ability to accommodate loop-through, branch and butt splicing. CFAS are ideally suited for outside plant, cell sites, MTSO or other environments where providers require fiber bandwidth for aerial optical distribution.

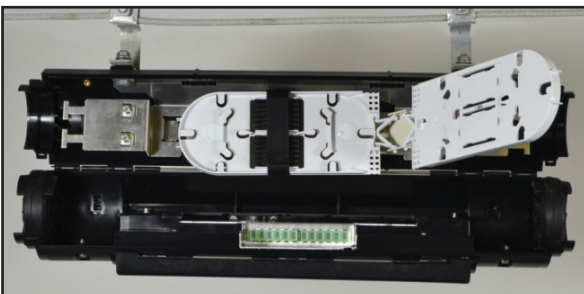


## ***Product Features***

- Sturdy lightweight construction
- Separated splice and drop compartments
- Robust hardware to accommodate cable mounting and routing
- Utilizes standard and/or small Charles Hinged Splice Trays
- (2) dual port grommets for cable entrance/exit on both sides
- 216-tool lock points (one for front access panel, two for secondary compartment entry)
- 12 drop ports with plug-and-play adapters in Drop Closure configuration

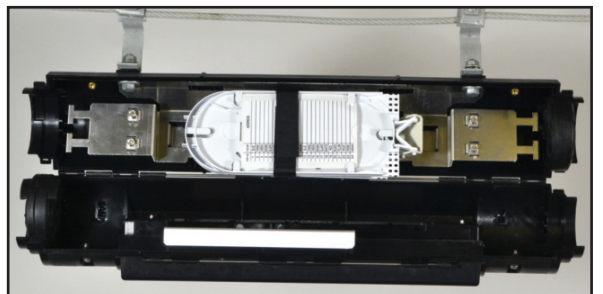
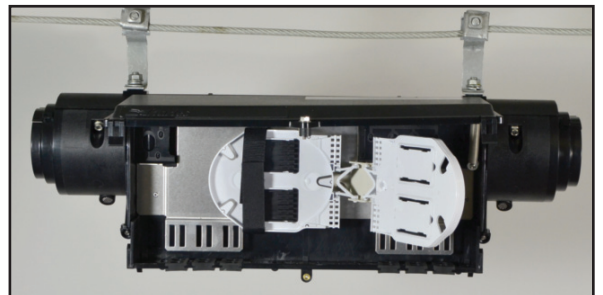
## ***CFAS Drop Closure***

Capacity: 12 drop ports front access panel, 2 standard hinged splice trays secondary splicing compartment



## ***CFAS Splice Closure***

Capacity: 2 small hinged splice trays front access panel, 2 standard hinged splice trays secondary splicing compartment



MADE IN THE  
**USA**

**Charles**

## Product Specifications

---

Dimensions (H x W x D):	8.5" x 25.3" x 5.4" (216mm x 642mm x 137mm)
Ambient Temperature:	-40°F to 149°F (-40°C to 65°C)
Cable Size Accommodation::	3 ports per end: Port 1: 0.6"-2.2" (15-55mm) Ports 2 & 3: 0.2"-1.4" (5.0-35mm) Can be configured as in-line or butt
Drop Port Cable Accommodation:	12 ports, 0.118"-0.315" including flat drop (3-8mm)
Internal Adapters:	SC/APC standard in Drop configuration only. UPC and LC also available.
Mounting:	Aerial (1/4"-3/8" strand)

## Ordering Information

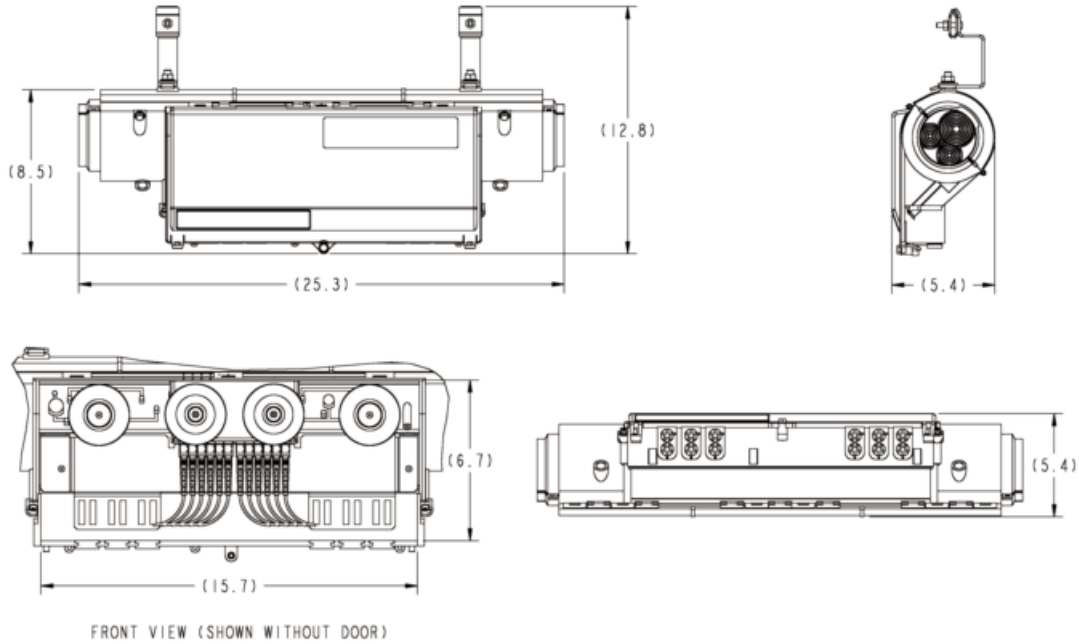
---

<u>Charles Part #</u>	<u>Description</u>
CFAS-C12SA001	Fiber aerial splice closure drop configuration, 12 SC/APC adapters, two feed 4"x9" 24 fiber splice trays, includes aerial mounting brackets
CFAS-SPL01	Fiber aerial splice closure splice configuration, no adapter panel, one 4"x6" drop splice 24 fiber splice tray, includes aerial mounting brackets
CFAS-SPL22	Fiber aerial splice closure splice configuration, no adapter panel, two 4"x6" 24 fiber splice trays, two 4"x9" 24 fiber splice trays, includes aerial mounting brackets

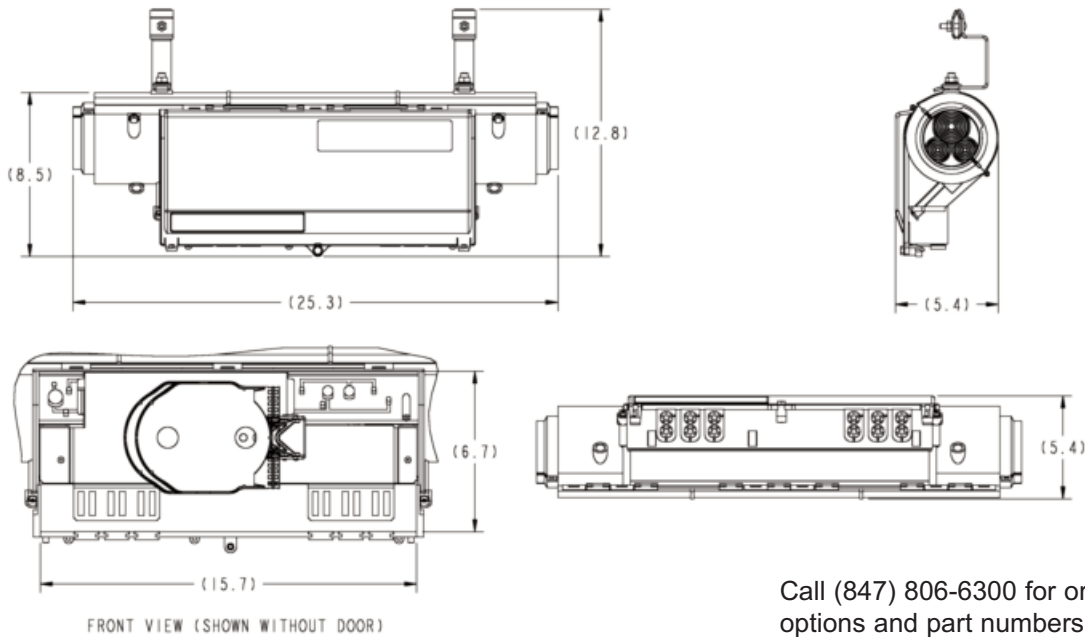


# Product Dimensions

## CFAS Drop Closure



## CFAS Splice Closure



Call (847) 806-6300 for ordering options and part numbers.



INNOVATIVE ENCLOSED SOLUTIONS™



## Dependable Solutions, Superior Support

- Field-proven and unequaled 24-hour technical support
- Individualized application consultation
- Superior quality (ISO 9001/TL 9000 registered)

Visit our website at <http://www.charlesindustries.com>


Charles Industries, Ltd.  
Telecommunications Group

Voice: (847) 806-6300

Fax: (847) 806-6231

E-mail: [mktserv@charlesindustries.com](mailto:mktserv@charlesindustries.com)



 is a registered trademark of Charles Industries, Ltd.

D-OSP162-119