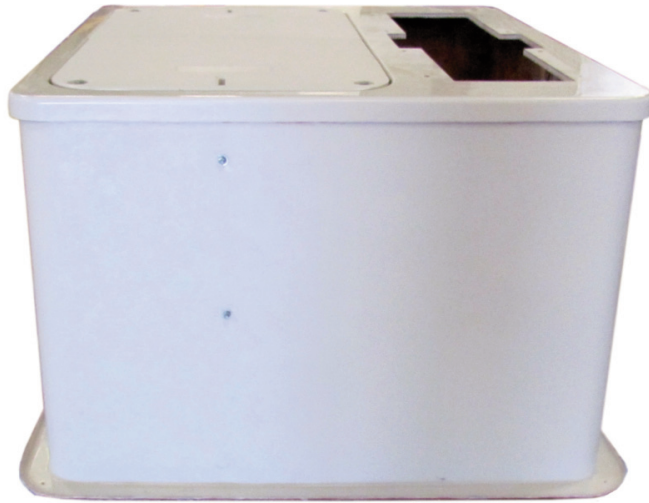


Charles Integrated Composite Pad (CPAD™)

with 30" x 48" TRUE™ Split Cover Below Grade Enclosure



The Charles Integrated CPAD with 30"x48" TRUE split cover is an all-in-one solution designed for mounting Commscope or Corning Primary Flexibility Points (PFP) with room below the pad and cover for sealed fiber splice cases and cable slack storage. The advanced composite material construction of the enclosure is lightweight for increased safety and ease of placement, while meeting Tier 8 (8,000 lb. vertical design load / 12,000 lb. test load) or Tier 15 (15,000 lb. vertical design load / 22,000 lb. test load) Load Rating specifications for underground enclosure integrity.

This integrated solution helps to significantly reduce the deployment time and associated costs of placing PFP and other remote cabinets in the outside plant. Deployments can be completed in as little as one day compared to the multiple days required when using traditional methods (concrete pad and separate below grade enclosure).

Technician-friendly features include 4.5" conduit knock-outs, cable racks, 3/4" hex-head security bolts, and lifting points. A break-away top cap design facilitates recovery and restoration after an accidental impact from a vehicle. A replacement top cap designed to bolt in place with the ability to slide working fiber cables through it effectively turns catastrophic service interruptions into quick replacement jobs.

- Dimensions: 53"H x 53"W x 36"D, split lid cover of 30" x 48"
- Weight: 290 lbs. Tier 8 / 312 lbs. Tier 15 (enclosure and split lid cover)
- Cover Weight: 84 lbs. (42 lbs. x2) Tier 8 / 92 lbs. (46 lbs. x2) Tier 15
- Cabinet pullover force exceeds 150 MPH wind force per Telecordia GR-487
- Meets ANSI/SCTE-77 specifications for flammability, UV exposure, water absorption, impact resistance and chemical resistance
- Meets Telecordia GR-902 (chemical resistance)



ANSI/SCTE Rating	Charles Part #	Item Description
TIER 8 TIER 15	CPAD-BH3048TE86 TPAD-BH3048TE86	53"x53"x36" Composite Pad with 30"x48" Cover for CommScope 864 Hub w/ 4 rack rails
TIER 8 TIER 15	CPAD-BH3048TE43 TPAD-BH3048TE43	53"x53"x36" Composite Pad with 30"x48" Cover for CommScope 288/432 Hub w/ 4 rack rails
TIER 8 TIER 15	CPAD-BH3048CNGL TPAD-BH3048CNGL	53"x53"x36" Composite Pad with 30"x48" Cover for Corning 576/864 Hub w/ 4 rack rails
TIER 8 TIER 15	CPAD-BH3048CNGS TPAD-BH3048CNGS	53"x53"x36" Composite Pad with 30"x48" Cover for Corning 288/432 Hub w/ 4 rack rails
TIER 8 TIER 15	CPAD-BH3048CI86 TPAD-BH3048CI86	53"x53"x36" Composite Pad with 30"x48" Cover for Charles OHC-864 FDH w/ 4 rack rails
TIER 8 TIER 15	CPAD-BH3048CI43 TPAD-BH3048CI43	53"x53"x36" Composite Pad with 30"x48" Cover for Charles OHC-432 and OHC-288 FDH w/ 4 rack rails

For additional product information, please visit www.charlesindustries.com

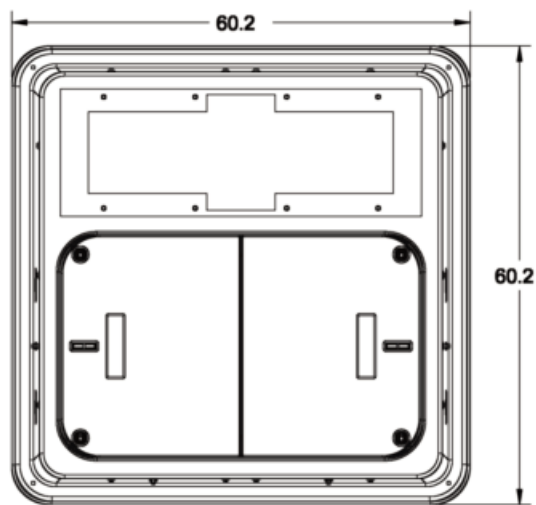
OG-OSP073-B21

Page 1 of 3

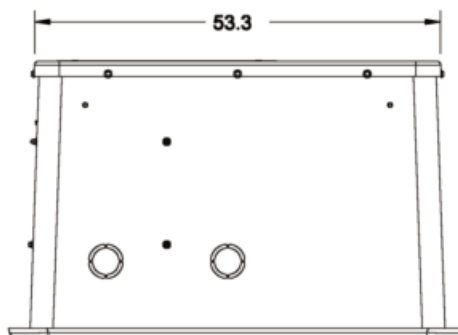
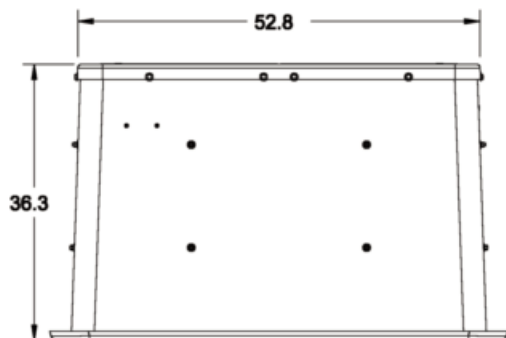
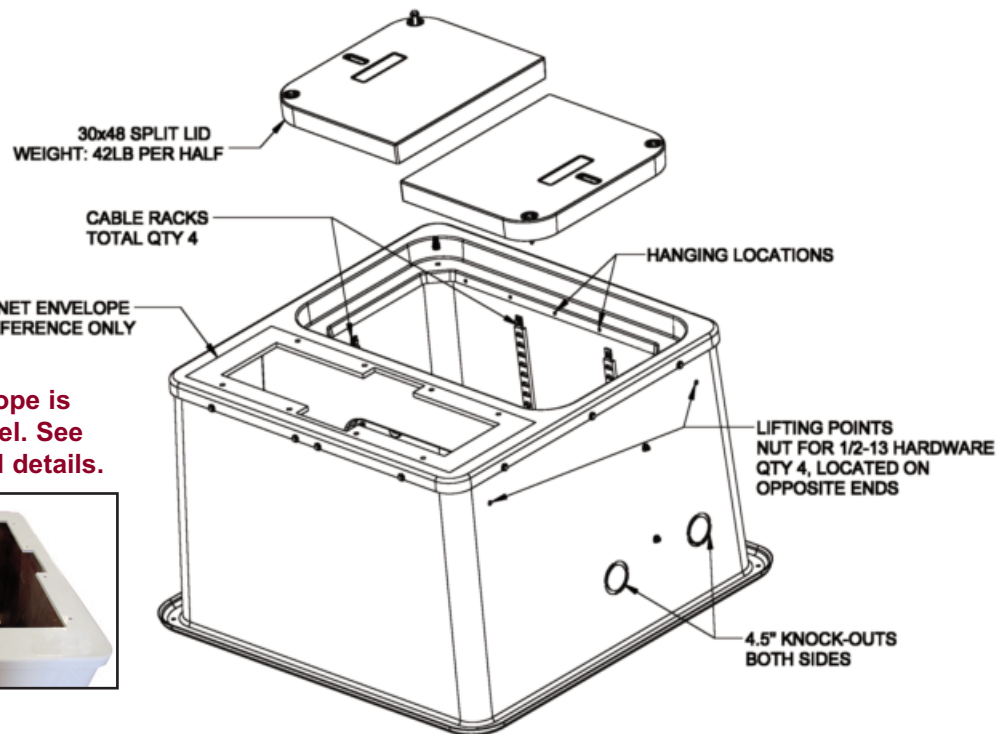
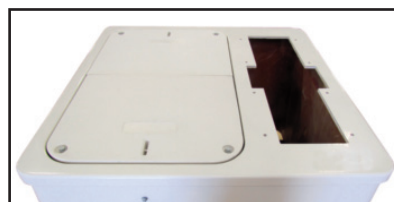
Charles Integrated Composite Pad (CPAD™)

with 30" x 48" TRUE™ Split Cover Below Grade Enclosure

CPAD-BH3048xxxx (Tier 8)
TPAD-BH3048xxxx (Tier 15)



Note: Cabinet Envelope is different for each model. See Page 3 for additional details.



All measurements in inches.

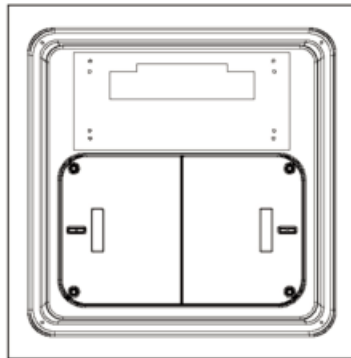
MADE IN THE
USA

OG-OSP073-B21

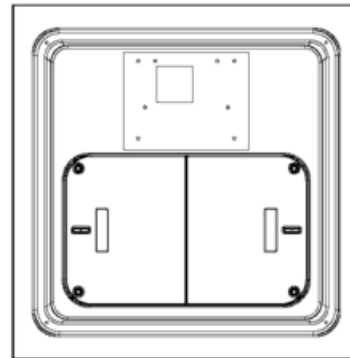
Page 2 of 3

Charles Integrated Composite Pad (CPAD™)

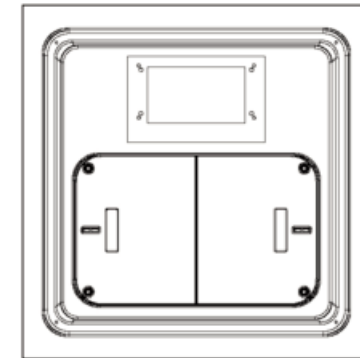
with 30" x 48" TRUE™ Split Cover Below Grade Enclosure



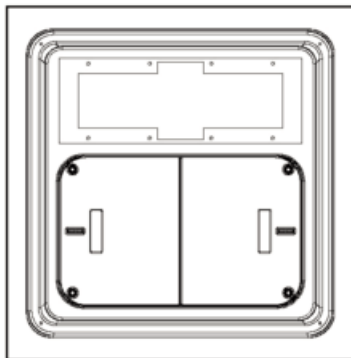
CPAD-BH3048CNGL
TPAD-BH3048CNGL*



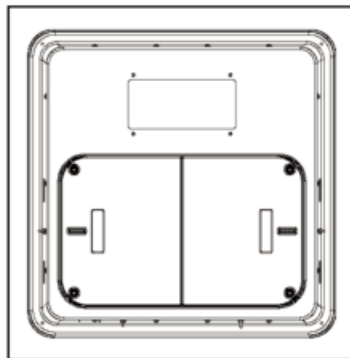
CPAD-BH3048CNGS
TPAD-BH3048CNGS*



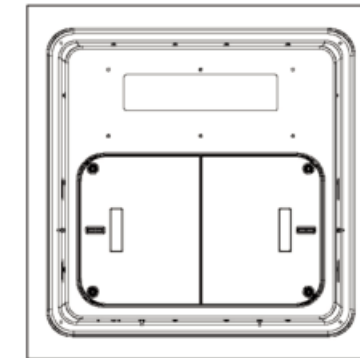
CPAD-BH3048TE43
TPAD-BH3048TE43*



CPAD-BH3048TE86
TPAD-BH3048TE86*



CPAD-BH3048CI43
TPAD-BH3048CI43*



CPAD-BH3048CI86
TPAD-BH3048CI86*

*CPAD (Tier 8 version) and TPAD (Tier 15 version) differ slightly. Tier 15 models have additional supports which partially obstruct full access and require additional care to pass cables.

