

# CUBE BBU Series Battery Backup – 2V Battery

## Pad Mount Densification Cabinets for 2V Battery Strings



Electronics densification in head ends, hubs or other aggregation points is driving the need for increased space inside existing buildings, shelters, huts, etc. Charles 2V Battery Enclosures allow operators to recover valuable, conditioned space within existing buildings by enabling the movement of large 2V strings to the outside of buildings. The battery strings can be disconnected and moved with minimal or no disruption to the network. When faced with the choice between a costly building expansion versus deployment of an enclosure outside the building, the choice is simple – Charles 2V Battery Enclosure solution saves operators money!

CUBE Battery Backup (BBU) cabinets are ideally suited for head ends, hub sites, cell sites and other outdoor environments when a large amount of battery backup is required. Multiple BBU cabinets can be combined to achieve an even greater amount of battery backup time or string redundancy. BBU cabinets can be installed adjacent to or remotely from other CUBE Site Support (CUBE-SS) Power Enclosures.

### Specifications:

Construction	0.125" Aluminum Welded Construction Outer Enclosure, Powder Coated Cool White Finish, Pad Mount
Mounting Style	Pad Mount
Thermal Management	Solar Shield and Venting on all models, Direct Air Cooling, DC HVAC or AC HVAC for Environmental Conditioning
Door Latching	3-Point Latching with Pad Lockable Handle in Front, Removable Panels in Rear, Wind Latch Each Door
Battery Types	2V VRLA Strings
Battery Breakers	Optional 1200A Disconnect available as add on kit
Cable Entrance	Eight (8) .5" Knockouts on rear serve as centering points for Greenlee punch to support larger conduits as required by application
Alarms	Door Intrusion, High Temperature, HVAC Failure (on configurations with HVAC)

### Supported Battery Types:

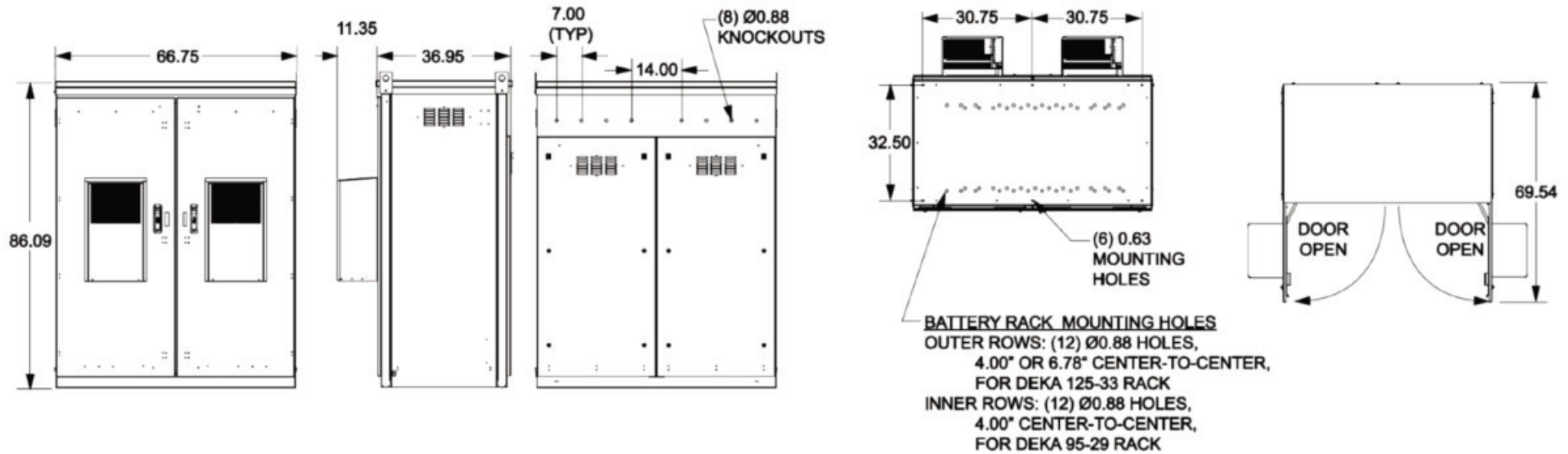
<b>MFR Battery Model No.</b>	<b>Rated Capacity</b>
East Penn Deka 125-33	2000AH
East Penn Deka 95-29	1330AH



# CUBE BBU Series Battery Backup – 2V Battery

## PRODUCT DIMENSIONS

All dimensions given in inches.



## ORDERING INFORMATION

Part Number	Standard Mounting	Overall Dimensions	Thermal System	Weight
CUBE-BB48A2HX1	Pad Mount	86"H x 67"W x 37"D	Fans/Vents	550
CUBE-BB48A2KX1	Pad Mount	86"H x 67"W x 37"D	(2) 4K BTU DC HVAC	725
CUBE-BB48A2JX1	Pad Mount	86"H x 67"W x 37"D	(2) 4K BTU AC HVAC	725

## ACCESSORIES

Part #	Description
97-HOR1200DISCS	1200A Horizontal Disconnect Switch With Shunt
97-HOR1200DISC	1200A Horizontal Disconnect Switch
97-VER1200DISCS	1200A Vertical Disconnect Switch With Shunt
97-VER1200DISC	1200A Vertical Disconnect Switch