

Charles Universal Broadband Enclosures (CUBE) RL 2000 Series



CUBE-RL2000 series cabinets are compact, multi-chamber enclosures designed for 19" or 23" rackmount equipment. The equipment chamber can be paired with either a battery chamber or customer handoff chamber, or ordered alone. Each chamber is individually accessible by 216 tool, allowing division of provider and customer access. A CUBE-RL3000 cabinet is available that includes a separate AC Panel compartment with one each of a 15A/125V Duplex GFCI Outlet, 5A/125V NEMA Twist Lock Outlet, and 15A Circuit Breaker.

Equipment compartment features:

- Pad-lockable door handle, pin-in hex tool entry
- Door wind latch and door alarm switch
- 6RU of 23" rack space, EIA hole spacing
- -48VDC power supply shelf and controller
- AC rack-mount power panel
- 2x8-position ground bar



Features of optional battery compartment:

- Pad-lockable pin-in hex tool entry
- Door wind latch and door alarm switch
- Accommodates up to two strings of 7.2Ah batteries (batteries not provided)
- Fused battery heater pad

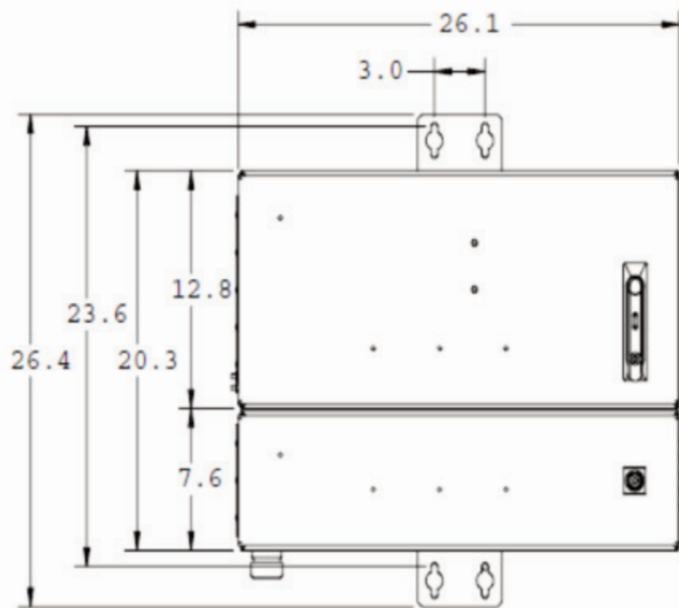
Overall Dimensions	20"H x 26"W x 16.5"D
Equipment Chamber	12.5"H x 26"W x 16.5"D
Rack Space / Width	6RU / 23" EIA Standard
Eltek Power System	CI58D-ANL-VC1 Power Shelf, BC2000-A93-10VC 48V Controller, TPL10 Thermal Probe, 19" to 23" bracket
AC Power Cord	(1) 15 ft. cord with L5-15 plug
AC Receptacles	(1) 15A/125V Duplex GFCI, (1) L5-15 twistlock
AC Circuit Breaker	(1) 15A
Battery Chamber (Optional)	7.5"H x 26"W x 20"D
Battery String	Up to two strings (4) 7.2Ah GT12080-HG GS Batteries (not included)
Handoff Chamber (Optional)	7.5"H x 26"W x 20"D
Bonding and Grounding	(1) 2x8 position 2-hole ground bar
Operating Temperature Range	-40° to +149°F
Humidity	-0 to 95% (non-condensing)
Color	Off-White
Construction	1/8" Welded Aluminum
Weight (Empty)	90 lbs.
Mounting	Wall or H-Frame, Pole Mount Kit optional (97-CABPMTKIT)

For additional product information, please visit www.charlesindustries.com

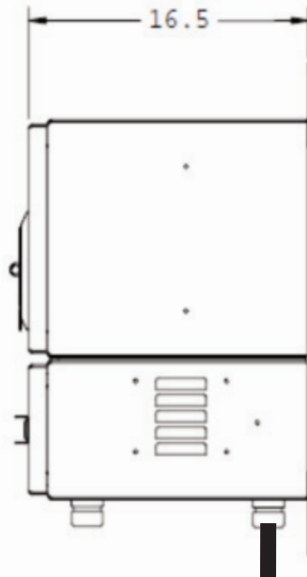
OG-OSP022-J16

Charles Universal Broadband Enclosures (CUBE) RL 2000 Series

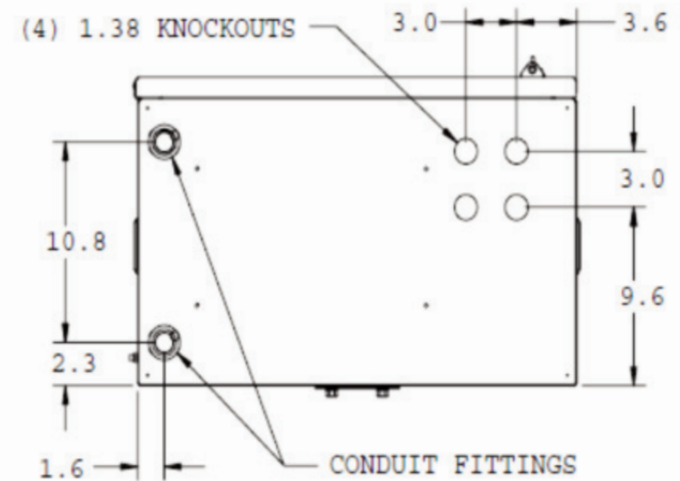
Charles Part #	Overall Dimensions	RU	Mounting Rails	Equipment Chamber Door	Equip. Chamber Dimensions	Battery Chamber Dimensions	Handoff Chamber Dimensions	Load Center	Thermal Specs	Integrated Power	Weight Empty (lbs.)
CUBE-RL2000-A	20x26x16.5	6	23" Fixed Rail	Front	13x26x16.5	—	—	None	None	—	77
CUBE-RL2001-A	20x26x15.5	6	23" Fixed Rail	Front	13x26x15.5	—	7x26x15.5	None	None	—	62
CUBE-RL2000B-A	20x26x16.5	6	23" Fixed Rail	Front	13x26x16.5	7x26x16.5	—	None	None	Eltak	143
CUBE-RL3000B-B	27x26x16.5	5	23" Fixed Rail	Front	13x26x16.5	7x26x16.5	—	AC Panel	None	—	100



FRONT VIEW



SIDE VIEW



BOTTOM VIEW

CUBE-RL2000B-A Shown. All measurements given in inches.

OG-OSP022-J16