

Charles Universal Broadband Enclosures (CUBE) RL207 Series Remote Radio Head / Power Support Cabinets

The CUBE-RL207 Series cabinet provide environmental protection for a wide variety of telecom applications, including wireless, fiber transport for cell site backhaul, and other remote outdoor applications where 48 VDC is required. The most common application for these cabinets are to house power and battery backup for remote radio heads. Commercial AC power is converted to 48 VDC using a third-party rectifier (supports most major manufacturers). The separate battery chamber is designed for up to 100Ah Ni-Cd or 92Ah VRLA batteries.



Specifications

Overall Dimensions	27"H x 28"W x 20"D
Equipment Chamber	14"H x 28"W x 20"D
Rack Space / Width	7RU / 19" EIA Standard
Door Lock	Padlockable, 216-Style Lock
AC Equipment	8 Position Load Center (see chart reverse side for details)
Battery Chamber	13"H x 28"W x 20"D
Capacity	Supports 1 String 48V (or two 24V) 100Ah Ni-Cd or 92Ah VRLA
Bonding & Grounding	8 Position, 2-Hole Ground Bar
Cable Entrance	(3) 1.75"/2.5" Knockouts on Right-Hand Side, (1) 1.75"/2.5" and (2) 1.375" Knockouts on Bottom
Thermal Management	48VDC 580 Watt Heat Exchanger
Construction	1/8" Welded Aluminum, Off-White Finish
Weight (Empty)	160 lbs.
Mounting	Wall or H-Frame, Pole Mount Kit optional (97-CABPMTKIT), 10" Plinth optional (97-PM4XPLINTH-A)



Charles Part #	Standard Mounting	Overall Dimensions (in.)	RU	Equipment Chamber Dimensions (in.)	Battery Chamber Dimensions (in.)	Load Center	Thermal	Integrated Power	Weight Empty (lbs.)	Weight w/Ni-Cd Battery
CUBE-RL20721AB1	Wall/H-Frame	27x28x20	7	14x28x20	13x28x20	8 Position	580W 48VDC HX	GE SPS 48V (3) 20A Rectifiers	170	372
CUBE-RL20721AB2	Wall/H-Frame	27x28x20	7	14x28x20	13x28x20	8 Position	580W 48VDC HX	None	180	382
CUBE-RL20721AB3	Wall/H-Frame	27x28x20	7	14x28x20	13x28x20	8 Position	580W 48VDC HX	GE Infinity D (3) 50A Rectifiers	175	377
CUBE-RL20721AB4	Wall/H-Frame	27x28x20	7	14x28x20	13x28x20	8 Position	580W 48VDC HX	GE Infinity D (3) 50A Rectifiers	175	377
CUBE-RL20721AB5	Wall/H-Frame	27x28x20	7	14x28x20	13x28x20	8 Pos & Gen	580W 48VDC HX	Eltek 48V (3) 20A Rectifiers	175	377
CUBE-RL20721AB7	Wall/H-Frame	27x28x20	7	14x28x20	13x28x20	8 Position	580W 48VDC HX	GE SPS 48V (3) 20A Rectifiers	170	372
CUBE-RL20721AB8	Wall/H-Frame	27x28x20	7	14x28x20	13x28x20	8 Position	580W 48VDC HX	GE SPS 48V (3) 30A Rectifiers	170	372
CUBE-RL20721AB9	Wall/H-Frame	27x28x20	7	14x28x20	13x28x20	8 Position	580W 48VDC HX	GE SPS 48V (2) 20A Rectifiers	170	372

For additional product information, please visit
www.charlesindustries.com

OG-OSP029-J18

INNOVATIVE ENCLOSED SOLUTIONS™

Charles Industries, Ltd.

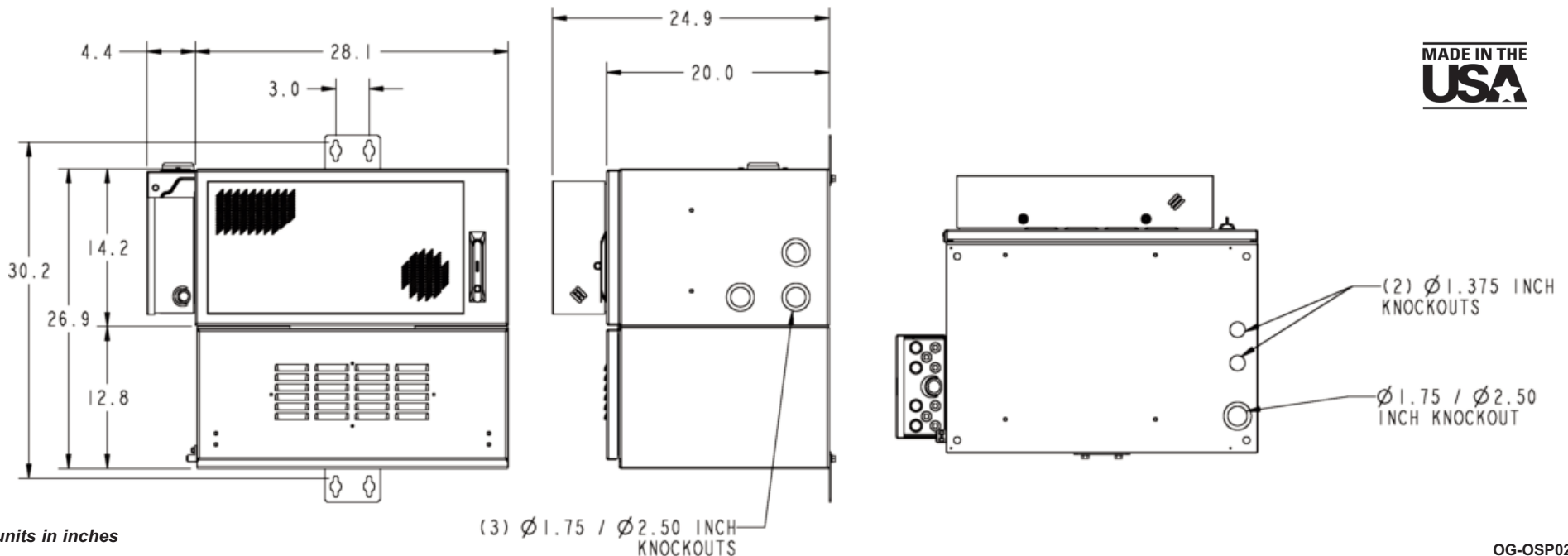
Phone: (847) 806-6300
Fax: (847) 806-6231
Web: www.charlesindustries.com



RL207 Series Remote Radio Head / Power Support Cabinets

Integrated Power Configuration Details for CUBE RL207 Series Models

Charles Part #	Integrated Power System	Rectifier Slots	Rectifiers in Configuration	Circuit Breaker Positions	DC Breakers in Configuration	GMT Positions	AC Input Voltage	Load Center	Main Breaker	AC Load Breakers	# Open Positions
RL20721AB1	GE SPS, 48V, 60A	3	(3) 20A	8	(1) 5A for HX (1) 60A (6) 20A	None	220	8 Pos.	60A 2P	(1) 15A for GFCI (3) 20A 1P for Rectifiers	2
RL20721AB2	None	None	None	None	None	None	220	8 Pos.	60A 2P	(1) 15A for GFCI	5
RL20721AB3	GE Infinity D, 48V 200A CC109150100 - 19"	4	(3) 50A	10 (2) used for GMT	(6) 15A (1) 5A for HX	6 Position (1) used for HX	220	8 Pos.	60A 2P	(1) 15A for GFCI (2) 40A 2P for Rectifiers	1
RL20721AB4	GE Infinity D, 48V 200A CC109150100 - 19"	4	(3) 50A	10	(7) 30A (1) 5A for HX	None	220	8 Pos.	60A 2P	(1) 15A for GFCI (2) 40A 2P for Rectifiers	1
RL20721AB5	Eltek Compact, 150A, 48V CK3S-ANN-VC	3	(3) 20A	4	(1) 60A (3) 10A	10 Position (1) used for HX	120	8 Pos.	60A 2P	(1) 20A 1P for Gen (1) 15A for GFCI (2) 20A 1P for Rectifiers	1
RL20721AB7	GE SPS, 48V, 60A	3	(3) 20A	8	(1) 5A for HX (1) 60A (6) 20A	None	220	8 Pos.	60A 2P	(1) 15A for GFCI (3) 20A 1P for Rectifiers	2
RL20721AB8	GE SPS, 48V, 60A	3	(3) 30A	8	(1) 5A for HX (1) 60A (3) 20A	None	220	8 Pos.	60A 2P	(1) 15A for GFCI (1) 20A 2P for 2 Rectifiers (1) 20A 1P for Rectifier	1
RL20721AB9	GE SPS, 48V, 60A	3	(2) 20A	8	(1) 5A for HX (1) 60A (3) 20A	None	220	8 Pos.	60A 2P	(1) 15A for GFCI (3) 20A 1P for Rectifiers	2



All units in inches

(3) Ø 1.75 / Ø 2.50 INCH KNOCKOUTS

OG-OSP029-J18

INNOVATIVE ENCLOSED SOLUTIONS™

Charles Industries, Ltd.

Phone: (847) 806-6300
 Fax: (847) 806-6231
 Web: www.charlesindustries.com

Charles