

# Charles Universal Broadband Enclosures (CUBE) RL212 Series Remote Radio Head / Power Support Cabinets



CUBE-RL212 Series cabinets provide environmental protection for a wide variety of telecom applications, including wireless, fiber transport for cell site backhaul, and other remote outdoor applications where 48 VDC is required. The most common applications for these cabinets are to house power and battery backup for remote radio heads. Commercial AC power is converted to 48 VDC using a third-party rectifier (supports most major manufacturers). The separate battery chamber is designed for up to 100Ah Ni-Cd or VRLA batteries.

## Specifications

|                               |   |
|-------------------------------|---|
| Overall Dimensions . . . . .  | 39"H x 26"W x 20"D  |
| Equipment Chamber . . . . .   | 24"H x 26"W x 20"D  |
| Rack Space / Width . . . . .  | 12RU / 19" EIA Standard   |
| Door Lock . . . . .           | Padlockable, 216-Style Lock   |
| AC Equipment . . . . .        | 8 Position Load Center  |
| Battery Chamber . . . . .     | 15"H x 26"W x 20"D  |
| Capacity . . . . .            | Supports 1 String 48V (or two 24V) 100Ah Ni-Cd or VRLA  |
| Bonding & Grounding . . . . . | 8 Position, 2-Hole Ground Bar   |
| Cable Entrance . . . . .      | (3) 1.75"/2.5" Knockouts on Right-Hand Side,<br>(1) 1.75"/2.5" and (2) 1.375" Knockouts on Bottom |
| Thermal Management . . . . .  | 24VDC/48VDC 580 or 750 Watt Heat Exchangers   |
| Construction . . . . .        | 1/8" Welded Aluminum, Off-White Finish  |
| Mounting . . . . .            | Wall or H-Frame, Pole Mount Kit optional (97-CABPMTKIT),<br>10" Plinth optional (97-002176-A)     |



| Charles Part #  | Standard Mounting | Overall Dimensions (in.) | RU | Equipment Chamber Dimensions (in.) | Battery Chamber Dimensions (in.) | Load Center | Thermal       | Integrated Power                      | Weight Empty (lbs.) | Weight w/Ni-Cd Battery |
|-----------------|-------------------|--------------------------|----|------------------------------------|----------------------------------|-------------|---------------|---------------------------------------|---------------------|------------------------|
| CUBE-RL21221AB1 | Wall/H-Frame      | 39x26x20                 | 12 | 24x26x20                           | 15x26x20                         | 8 Position  | 580W 48VDC HX | GE SPS 48V (3) 20A Rectifiers         | 170                 | 372                    |
| CUBE-RL21221AE2 | Wall/H-Frame      | 39x26x20                 | 12 | 24x26x20                           | 15x26x20                         | 8 Pos & Gen | 580W 48VDC HX | GE SPS 48V (2) 20A Rectifiers         | 170                 | 372                    |
| CUBE-RL21221AH1 | Wall/H-Frame      | 39x26x20                 | 12 | 24x26x20                           | 15x26x20                         | 8 Position  | 580W 48VDC HX | Eltek 48V (2) 40A Rectifiers          | 165                 | 367                    |
| CUBE-RL21221AH3 | Wall/H-Frame      | 39x26x20                 | 12 | 24x26x20                           | 15x26x20                         | 8 Position  | 580W 24VDC HX | Eltek 24V (2) 60A Rectifiers          | 165                 | 367                    |
| CUBE-RL21221AH4 | Wall/H-Frame      | 39x26x20                 | 12 | 24x26x20                           | 15x26x20                         | 8 Position  | 580W 48VDC HX | Eltek 48V (1) 40A Rectifier           | 165                 | 367                    |
| CUBE-RL21221AH5 | Wall/H-Frame      | 39x26x20                 | 12 | 24x26x20                           | 15x26x20                         | 8 Position  | 580W 48VDC HX | None                                  | 150                 | 352                    |
| CUBE-RL21221AH7 | Wall/H-Frame      | 39x26x20                 | 12 | 24x26x20                           | 15x26x20                         | 8 Position  | 580W 24VDC HX | Eltek 24V (2) 40A Rectifiers          | 165                 | 367                    |
| CUBE-RL21221AH8 | Wall/H-Frame      | 39x26x20                 | 12 | 24x26x20                           | 15x26x20                         | 8 Position  | 580W 48VDC HX | GE Infinity D 48V, No Rectifiers      | 180                 | 385                    |
| CUBE-RL21221DB1 | Wall/H-Frame      | 39x26x20                 | 12 | 24x26x20                           | 15x26x20                         | 8 Position  | 750W 48VDC HX | None                                  | 150                 | 352                    |
| CUBE-RL21221DB2 | Wall/H-Frame      | 39x26x20                 | 12 | 24x26x20                           | 15x26x20                         | 8 Position  | 750W 48VDC HX | GE Infinity D 48V, (2) 50A Rectifiers | 165                 | 367                    |
| CUBE-RL21221DL1 | Wall/H-Frame      | 39x26x20                 | 12 | 24x26x20                           | 15x26x20                         | 8 Pos & Gen | 750W 48VDC HX | None                                  | 150                 | 385                    |
| CUBE-RL21221DL2 | Wall/H-Frame      | 39x26x20                 | 12 | 24x26x20                           | 15x26x20                         | 8 Pos & Gen | 750W 48VDC HX | GE Infinity D 48V                     | 180                 | 385                    |

For additional product information, please visit [www.charlesindustries.com](http://www.charlesindustries.com)

OG-OSP030-K16

**INNOVATIVE ENCLOSED SOLUTIONS™**

Charles Industries, Ltd.

Phone: (847) 806-6300  
Fax: (847) 806-6231  
Web: [www.charlesindustries.com](http://www.charlesindustries.com)



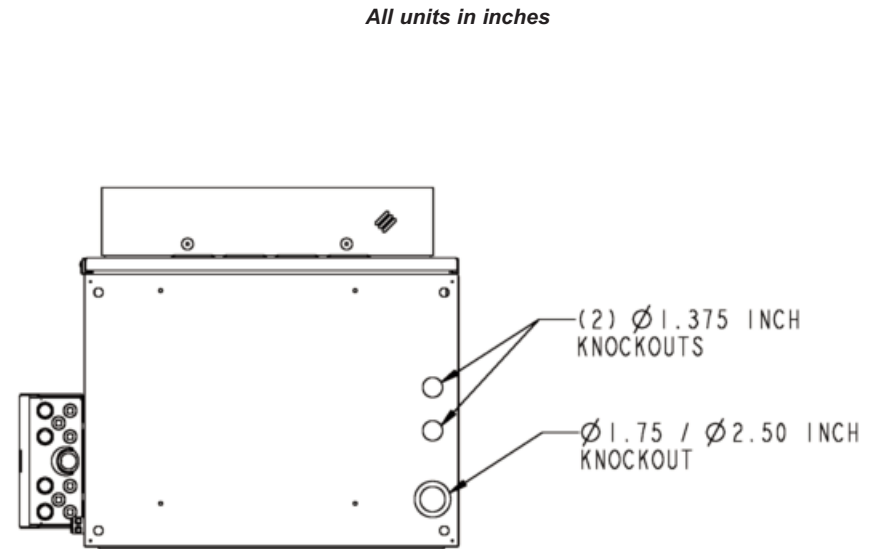
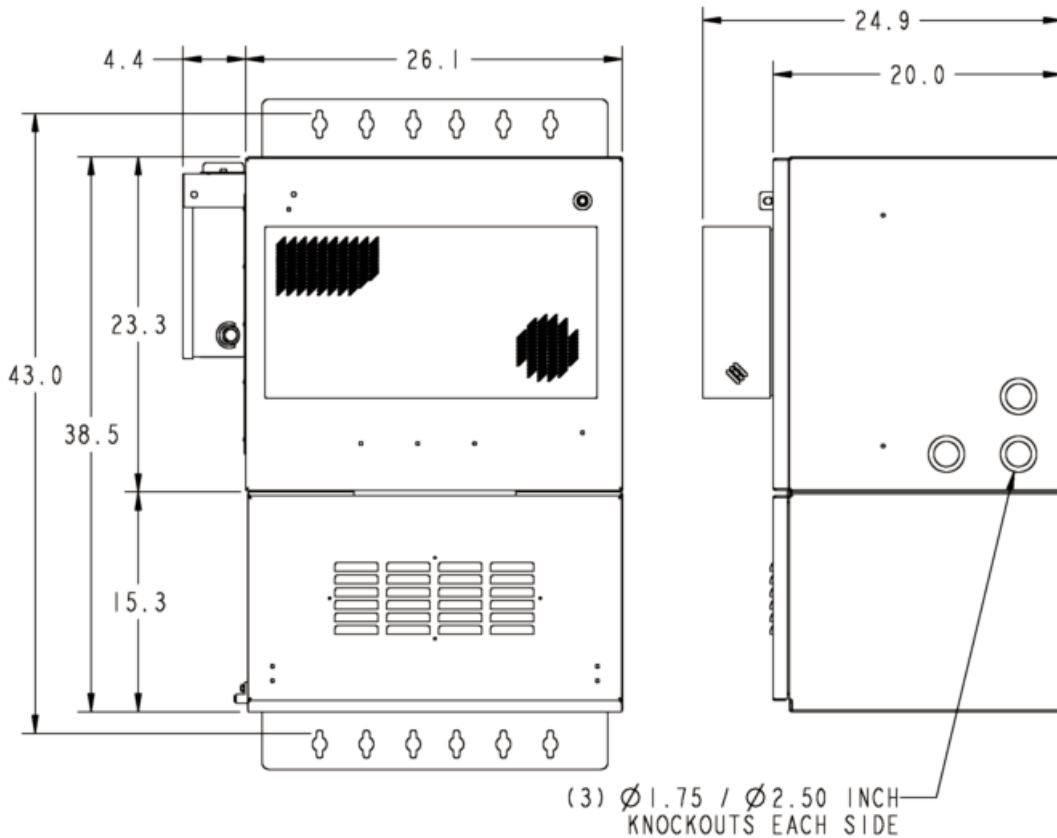
# RL212 Series Remote Radio Head / Power Support Cabinets

## Integrated Power Configuration Details for CUBE RL212 Series Models

| Charles Part # | Integrated Power System                       | Rectifier Slots | Rectifiers in Configuration | Circuit Breaker Positions | DC Breakers in Configuration        | GMT Positions                  | AC Input Voltage | Load Center | Main Breaker | AC Load Breakers  | # Open Positions |
|----------------|---|-----------------|-----------------------------|---------------------------|-------------------------------------|--------------------------------|------------------|-------------|--------------|---|------------------|
| RL21221AB1     | GE SPS, 48V, 60A                              | 3               | (3) 20A                     | None                      | (1) 5A for HX<br>(1) 60A<br>(6) 20A | None                           | 220              | 8 Pos.      | 60A 2P       | (1) 15A for GFCI<br>(3) 20A 1P for Rectifiers                     | 2                |
| RL21221AE2     | GE SPS, 48V, 60A                              | 3               | (2) 20A                     | None                      | (1) 5A for HX<br>(1) 60A<br>(6) 20A | None                           | 220              | 8 Pos.      | 60A 2P       | (1) 30A 2P - Gen<br>(1) 15A for GFCI<br>(2) 20A 1P for Rectifiers | 1                |
| RL21221AH1     | Eltek Compact, 150A, 48V<br>CI50D-ANN-VCS     | 3               | (2) 40A                     | 4                         | None                                | 10 Position<br>(1) used for HX | 220              | 8 Pos.      | 60A 2P       | (1) 15A for GFCI<br>(2) 30A 2P for Power system                   | 1                |
| RL21221AH3     | Eltek Compact, 180A, 24V<br>CI50D-BPN-VCS     | 3               | (2) 60A                     | 4                         | None                                | 10 Position<br>(1) used for HX | 220              | 8 Pos.      | 60A 2P       | (1) 15A for GFCI<br>(1) 50A 2P for Rectifiers                     | 3                |
| RL21221AH4     | Eltek Compact, 150A, 48V<br>CI50D-ANN-VCS     | 3               | (1) 40A                     | 4                         | None                                | 10 Position<br>(1) used for HX | 220              | 8 Pos.      | 60A 2P       | (1) 15A for GFCI<br>(2) 30A 2P for Rectifiers                     | 1                |
| RL21221AH5     | None  | None            | None                        | None                      | None                                | None                           | 220              | 8 Pos.      | 60A 2P       | (1) 15A for GFCI<br>(2) 30A 2P for Power system                   | 1                |
| RL21221AH7     | Eltek Compact, 180A, 24V<br>CI50D-BPN-VCS     | 3               | (2) 40A                     | 4                         | None                                | 10 Position<br>(1) used for HX | 110              | 8 Pos.      | 30A 1P       | (1) 15A for GFCI<br>(2) 10A 1P for Rectifiers                     | 4                |
| RL21221AH8     | GE Infinity D, 200A, 48V<br>CC109151288 - 23" | 4               | None                        | 20                        | (1) 5A for HX<br>(1) 10A            | None                           | 220              | 8 Pos.      | 80A 2P       | (2) 40A 2P for Rectifiers   | 2                |
| RL21221DB1     | None  | None            | None                        | None                      | None                                | None                           | 220              | 8 Pos.      | 60A 2P       | (1) 15A for GFCI  | 5                |
| RL21221DB2     | GE Infinity D, 48V 200A<br>CC109150100 - 19"  | 4               | (2) 50A                     | 10                        | (1) 5A for HX<br>(1) 5A             | None                           | 220              | 8 Pos.      | 60A 2P       | (1) 15A for GFCI<br>(2) 40A 2P for Rectifiers                     | 1                |
| RL21221DL1     | None  | None            | None                        | None                      | None                                | None                           | 220              | 8 Pos.      | 60A 2P       | (1) 15A for GFCI<br>(1) 2P 30A for Gen                            | 5                |
| RL21221DL2     | GE Infinity D, 200A, 48V<br>CC109151288 - 23" | 4               | None                        | 20                        | (1) 5A for HX<br>(1) 10A            | None                           | 220              | 8 Pos.      | 80A 2P       | (1) 2P 30A for Gen<br>(2) 40A 2P for Rectifiers                   | 0                |

OG-OSP030-K16

# RL212 Series Remote Radio Head / Power Support Cabinets



All units in inches

## LOAD CENTER SHROUDS

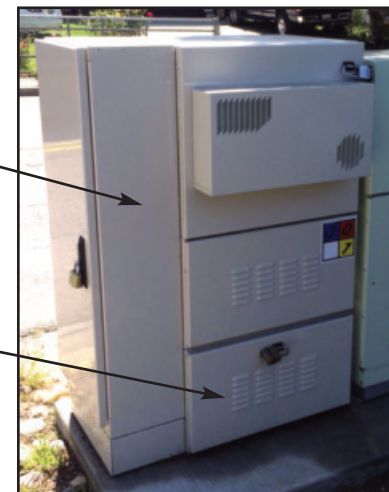
| Charles Part # | Description  |
|----------------|--|
| 97-RL212SHRD-A | AC Load Center Shroud for RL2122xxx Cabinets                   |
| 97-002245-A    | AC Load Center Shroud for RL2122xxx Cabinets & Plinth          |
| 97-002263-A    | AC Load Center Shroud for RL212xxx & Extra Battery Compartment |

## ADD-ON BATTERY COMPARTMENT

| Charles Part # | Description                                       |
|----------------|---|
| CUBE-BB48A1GN1 | Add-On Battery Compartment for RL2122xxx Cabinets |

Load Center Shroud

Add-On Battery Compartment



MADE IN THE  
USA

OG-OSP030-K16