

# R02 Round Profile Non-Louvered Vertical Broadband Pedestal

## Buried Distribution Pedestal Suitable for Directional Taps, Line Splitters and Fiber Terminals

Charles Industries' R02 Round Profile Non-Louvered Vertical Pedestal provides mounting facilities and security for fiber taps and RF passive components used in today's Fiber-to-the-Home or coaxial based access networks. The pedestal is engineered for installation with the included galvanized equipment mounting stake. Various access networking equipment can be affixed directly to the slotted thru-hole provisions integrated into the equipment mounting stake.

The R02 pedestal has a round profile dome which is self-latching for reduced chance of being left unlocked. The depth of the dome provides sufficient clearance to support the bend radius of fiber drops exiting a fiber terminal or coax drop cables exiting the RF directional tap. The overall dome height provides ample space for stacked interconnected directional taps with splitters and directional coupler housings in a single pedestal. These pedestals are molded from a polyethylene resin specifically designed for outside plant environments, resisting impact, ultraviolet and environmental degradation.



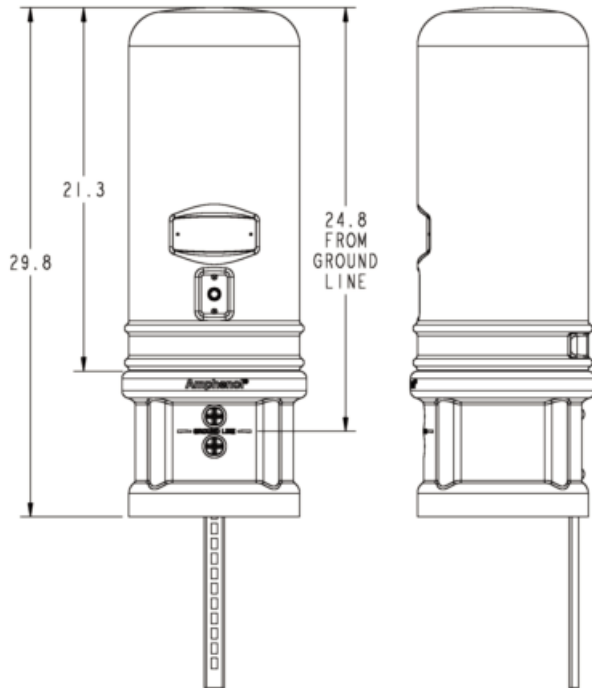
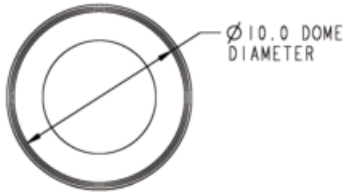
## Product Features

- Molded of polyethylene (PE) with ultraviolet U/V inhibitors to provide impact resistance, color stability and long-life
- Standard housing color is light green, other colors are special order
- Self-latching, dome locking system reduces unlocked pedestals and unwanted access
- Hex-head locking bolt for use with standard 7/16" CAN or terminal wrench
- Galvanized equipment mounting stake
- Molded-in ground line for consistent installations
- Temporary drop access feature

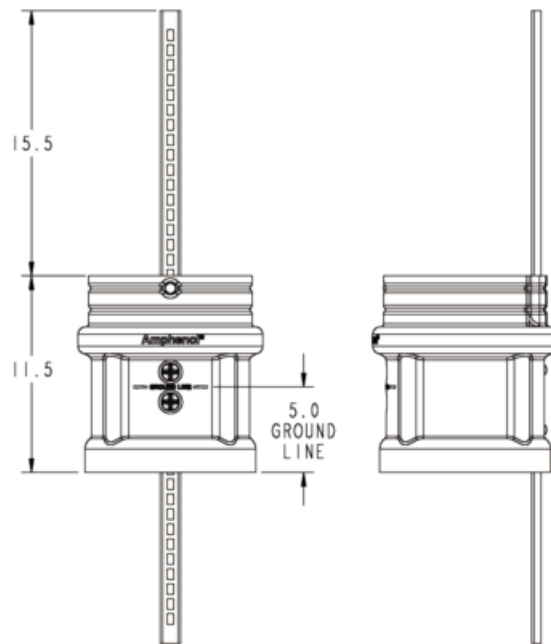


# Dimensions

All dimensions given in inches.



## INTERNAL BRACKET



# Ordering Information

Charles Part #	Description
R02SS07-21000BK	Hex-head lock, light green housing, equipment mounting stake

Please call Charles Industries at 847-806-6300 to inquire about availability of custom equipment mounting brackets and nameplate options.



INNOVATIVE ENCLOSED SOLUTIONS™



## Dependable Solutions, Superior Support

- Field-proven and unequalled 24-hour technical support
- Individualized application consultation
- Superior quality (ISO 9001/TL 9000 registered)

Visit our website at <http://www.charlesindustries.com>

Charles Industries, LLC  
An Amphenol Company

Voice: (847) 806-6300  
Fax: (847) 806-6231  
E-mail: [mktsterv@charlesindustries.com](mailto:mktsterv@charlesindustries.com)



D-OSP201-K20

is a registered trademark of Charles Industries, LLC