

Z02 Generation II Non-Louvered Vertical Broadband Housing

Versatile, easy-to-use pedestal for FTTH and broadband networks

Charles Industries' Z02 Non-Louvered Vertical Plastic Pedestal provides mounting facilities and security for fiber taps and RF passive components used in today's Fiber-to-the-Home or coaxial based access networks. The pedestal is engineered for self-supporting direct buried installation or with the optional galvanized equipment mounting stake. Network access equipment can be affixed directly to the slotted thru-hole provisions integrated into the equipment mounting stake. Optional add-on bracket kits provide increased mounting flexibility to meet customer specific needs and applications.

The Z02 is engineered for installation convenience and cost effective deployments. During installation, simply bury the pedestal base to the desired depth and backfill. The pedestal has a rectangular design to maximize the usable internal dome space when typically rectangular-shaped equipment is installed. The depth of the dome provides sufficient clearance to support the bend radius of fiber drops exiting a fiber terminal or coax drop cables exiting the RF directional tap. The overall dome height provides ample space for stacked interconnected directional taps with splitters and directional coupler housings in a single pedestal. These pedestals are molded from a polyethylene resin specifically designed for outside plant environments, resisting impact, ultraviolet and environmental degradation.



Product Features

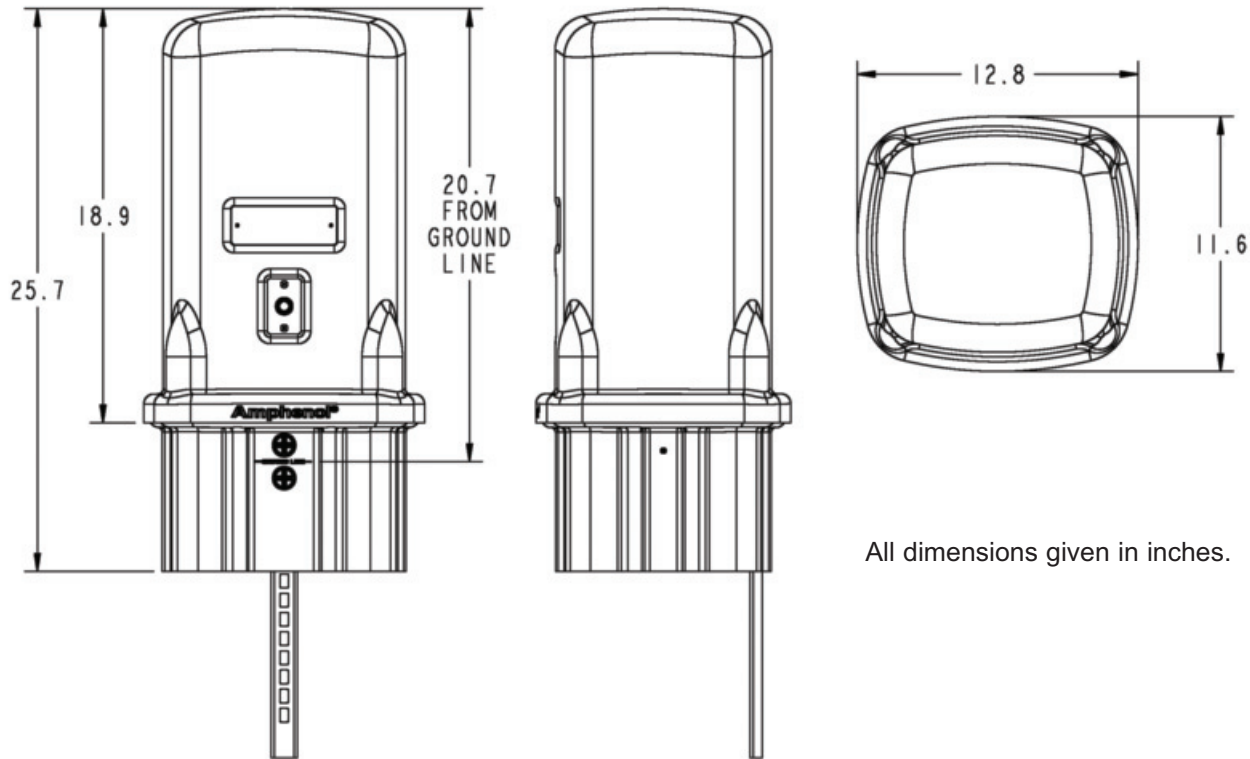
- Molded of polyethylene (PE) with ultraviolet U/V inhibitors to provide impact resistance, color stability and long-life
- Standard housing color is light green, other colors are special order
- Self-latching, dome locking system reduces unlocked pedestals and unwanted access
- Hex-head locking bolt for use with standard 7/16" CAN or terminal wrench
- Molded-in ground line for consistent installations
- Temporary drop access
- Custom nameplate options available
- Galvanized steel equipment mounting stake to support various equipment configurations

Equipment Mounting Stake

Galvanized steel equipment mounting stake features multiple position mounting holes arranged vertically along entire length of stake for convenient mounting of a variety of equipment.



Dimensions



All dimensions given in inches.

Ordering Information

Charles Part #	Description
Z02SS07-21000BK	Hex-head lock, light green housing, equipment mounting stake, blank nameplate

Please call Charles Industries at 847-806-6300 to inquire about availability of custom equipment mounting brackets and nameplate options.



INNOVATIVE ENCLOSED SOLUTIONS™



Dependable Solutions, Superior Support

- Field-proven and unequaled 24-hour technical support
- Individualized application consultation
- Superior quality (ISO 9001/TL 9000 registered)


Visit our website at <http://www.charlesindustries.com>

Charles Industries, LLC
An Amphenol Company

Voice: (847) 806-6300
Fax: (847) 806-6231
E-mail: mktserv@charlesindustries.com



D-OSP200-F20

 is a registered trademark of Charles Industries, LLC